

Scale Hoppers



COMPONENTS



BULK



MINORS



LIQUIDS



CONTROLS



SITE SERVICES



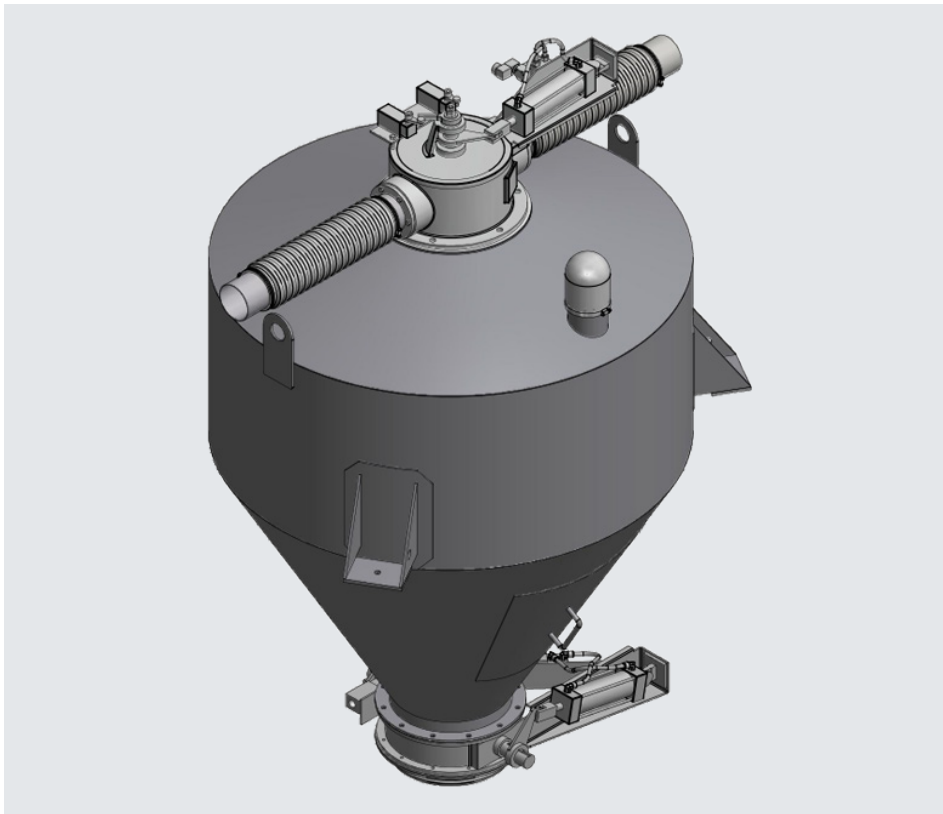
SHICK
ESTEVE™
LINXIS GROUP

Scale Hopper

INFORMATION

Shick Esteve scaling and receiving hoppers are used in pressure, vacuum and gravity applications. These concentric and eccentric units are available in a wide range of capacities and are most often filled with

a pneumatic convey system and the use of a Shick Esteve diverter valve. The eccentric hopper design is often used when multiple vessels/scales share a common discharge point or area.



Notes

Capacities based on 20° product angle of repose, 60° hopper and center fill via a Shick bottom diverter valve

12" diameter discharge with others available

Various inlet and discharge sizes available with dimensions provided upon request. Overall dimensions will change based on inlet/outlet sizes.

Approximately 20° conical top

Hoppers for pressure applications are built with vibrator pad, vacuum relief vent and (3) support lugs

Vacuum-rated and pressure-rated hoppers may require dished heads and stiffener rings for a maximum vacuum rating of 17 Hg and maximum pressure of 14.7 psig.

STANDARD FEATURES

Materials of construction: ASTM 36 carbon steel or ASTM A240 304 S/S sheet metal

Carbon steel finishes: Internal welds are ground to a 120-grit finish on weld seams only; internal finish is clear phenolic or epoxy; external paint primed with white enamel finish coat

Stainless steel finishes: Interior welds ground to a 120-grit finish; exterior welds to be cleaned; sheet is a 2B mill finish (internal) and matte glass bead blast (external)

Easy installation: With (3) application-specific support lugs at 120° circumference to accept compression load cells or hanger rods with tension load cells

60 degree slope: Standard designed to encourage the discharge of material; other slopes available

Access door: A removable, flush-fitting access door is provided in the cone section

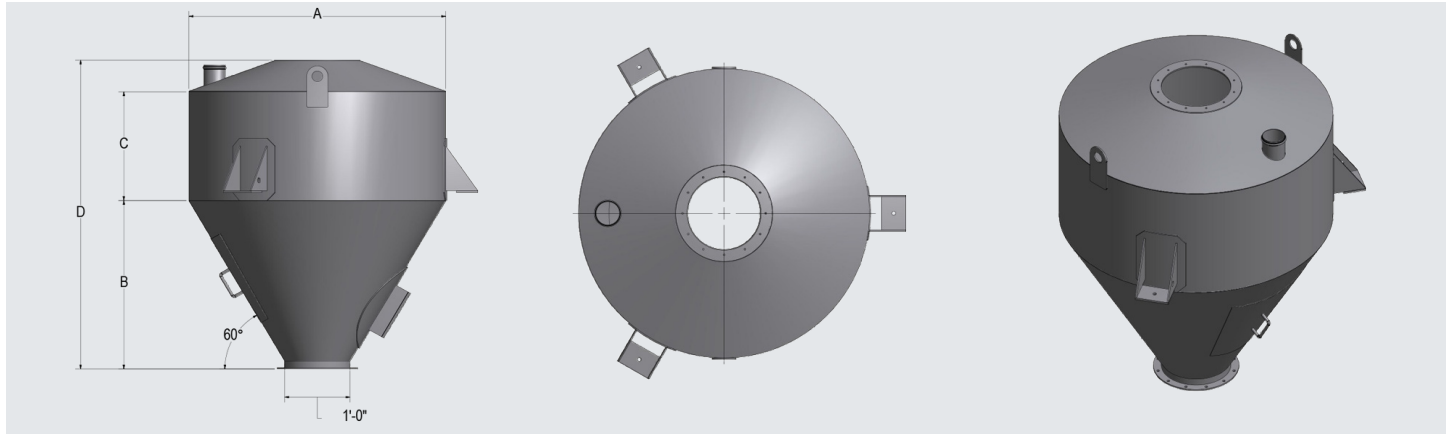
OPTIONS

Finish: Stainless 4B finish sheet with interior welds ground to a 180-grit finish; others available

Vibrator/aeration: Air-impacting vibrators or aerating Solimar(s) assist the flow of dry material from any scale hopper; others available

Load cells: Compression for mezzanine applications or tension load cell kits for hanging applications are available in a wide range of sizes, depending on the size of the scale hopper and weight of material; load cell kits include 3 load cells, summing box, electrical kit (tension), cable and suspension.

Schematics: Concentric

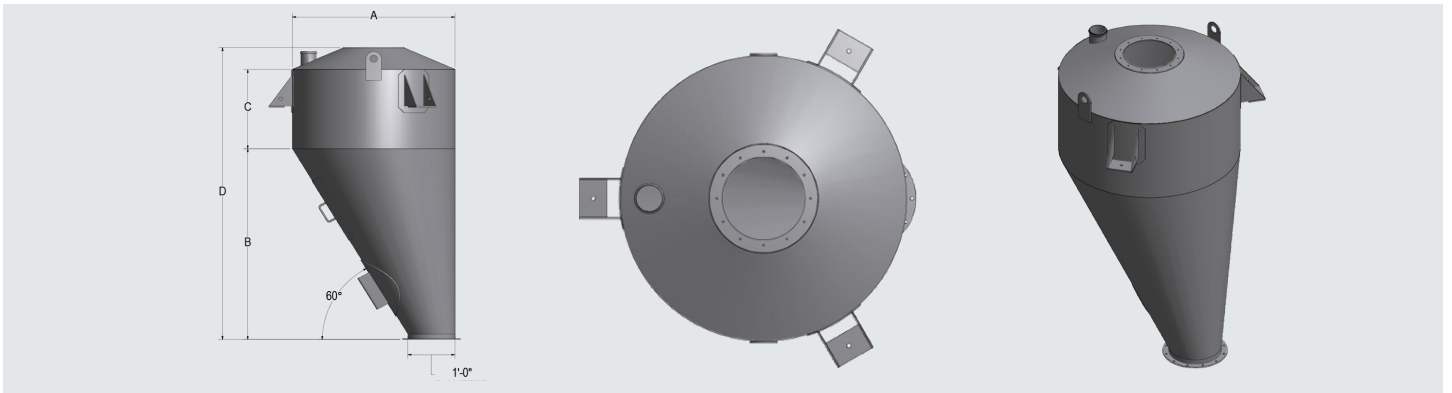


Concentric						
Cubic FT/ Cubic M	Dead Weight KG/Lbs.	A (inch/mm)	B (inch/mm)	C (inch/mm)	D (inch/mm)	Bin body thickness (GAUGE)
10/.28	154.67/341	42/1066.8	27.375/695.325	12/304.8	43.1875/1096.9625	12
20/.57	176.90/390	42/1066.8	27.375/695.325	24/609.6	53.1875/1350.9625	12
30/.85	212.73/479	48/1219.2	32.5625/827.0875	28/711.2	65.1875/1655.7625	12
40/1.13	234.05/516	48/1219.2	32.5625/827.0875	38/965.2	75.1875/1909.7625	12
50/1.42	263.08/580	54/1371.6	37.75/958.85	36/914.4	79.1875/2011.3625	12
60/1.70	293.93/648	60/1524	42.9375/1090.6125	34/863.6	83.1875/2112.9625	10
80/2.27	325.68/718	60/1524	42.9375/1090.6125	46/1168.4	95.1875/2417.7625	10
100/2.83	378.75/835	72/1828.8	53.5/1358.9	36/914.4	95.625/2428.875	10

* Dimensions subject to change

** Vacuum-rated vessels will exceed the above dead weight estimates. Contact Shick Esteve for estimated weights on vacuum receivers.

Schematics: Eccentric



Eccentric						
Cubic FT/ Cubic M	dead weight KG/Lbs.	A (inch/mm)	B (inch/mm)	C (inch/mm)	D (inch/mm)	Bin Body Thickness (Gauge)
15/.42	155.13/342	36/914.4	43.0625/1093.7875	12/304.8	57.9375/1471.6125	12
20/.57	167.83/370	36/914.4	43.0625/1093.7875	20/508	65.9375/1674.8125	12
25/.71	193.23/426	36/914.4	43.0625/1093.7875	36/914.4	81.9375/2081.2125	12
30/.85	213.19/470	42/1066.8	53.4375/1357.3125	27/685.8	84.125/2136.775	12
40/1.13	244.94/540	48/1219.2	63.875/1622.425	24/609.6	92.375/2346.325	12
50/1.42	266.26/587	48/1219.2	63.875/1622.425	34/863.6	102.375/2600.325	12
60/1.70	284.86/628	48/1219.2	63.875/1622.425	43/1092.2	111.375/2828.925	12
80/2.27	342.01/754	60/1524	84.625/2149.475	28/711.2	118.75/3016.25	10
90/2.55	885/401.43	72/1828.8	105.4375/2678.1125	14/355.6	127.125/3228.975	10

* Dimensions subject to change

** Vacuum-rated vessels will exceed the above dead weight estimates. Contact Shick for estimated weights on vacuum receivers.

shickesteve.com

4346 Clary Blvd, Kansas City, MO 64130, USA

O: 816 861 7224

info@shickesteve.com

shickesteve.com/fr

4 place des Noyers 18220 RIANS, France

Tel: +33 (0) 2 48 66 60 60

info@shickesteve.fr