

# Bag Dump

*and Bag Dump with Screener*



## COMPONENTS



BULK



MINORS



LIQUIDS



CONTROLS



SITE SERVICES



**SHICK  
ESTEVE**<sup>™</sup>  
LINXIS GROUP

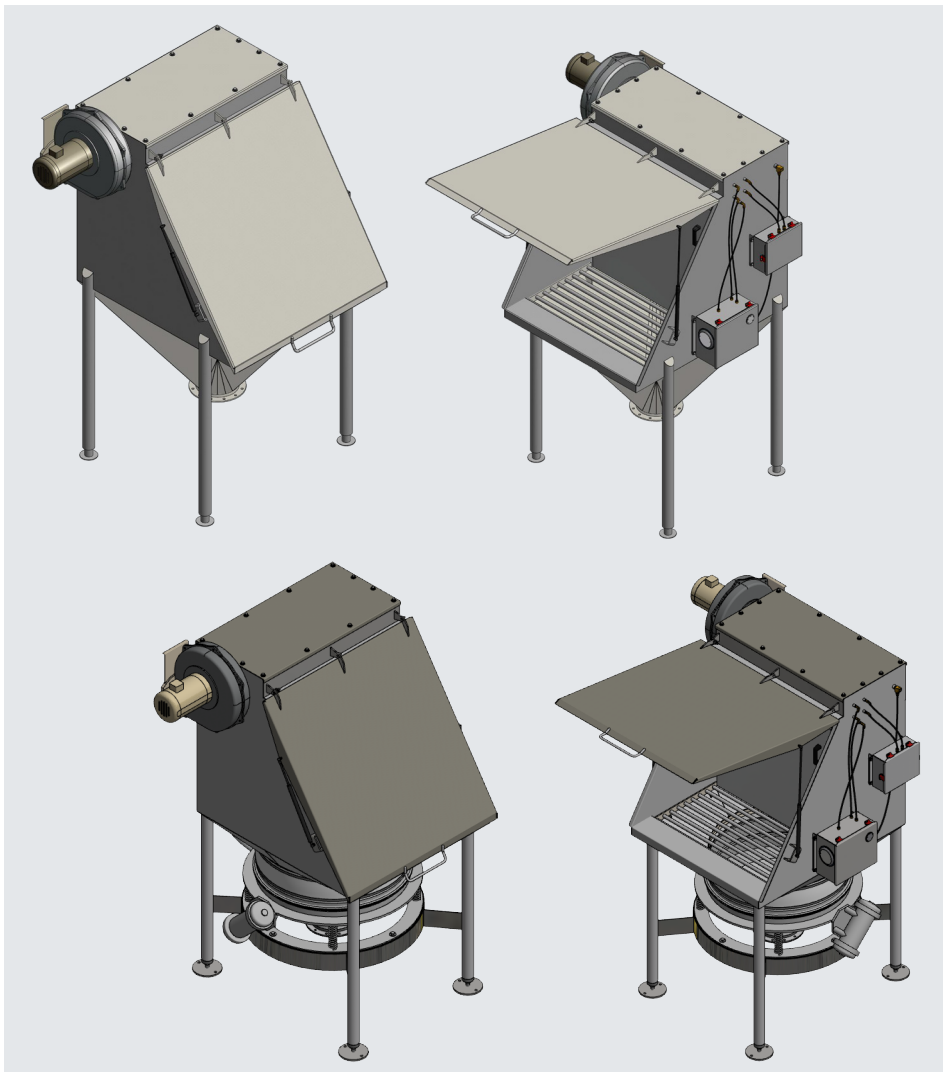
# Bag Dump

## *and Bag Dump with Screener*

### INFORMATION

Shick Esteve's bag dump and bag dump with screener facilitates the addition of dry ingredients into a pneumatic convey line. The design includes a hopper with a gas spring assisted door that makes hand adding easier. The addition of the screener allows the removal of particles not desired in convey lines. An air-actuated cartridge filter sealing mechanism that is not exposed to the material contact area makes cartridge replacement fast, simple and tool free.

The bag dump comes with an integral dust collection system with a fan that can be activated upon opening the door. The filter cleaning cycle directs captured material into the hopper for introduction into the transfer system. A removable air curtain directs air flow so dust is pulled away from the operator.



### STANDARD FEATURES

**Standard materials:** 304 S/S with 150-grit orbital interior finish and bead blasted exterior finish

**Air pressure:** Required 80-100 PSI of clean dry air pressure and air consumption of 3 SCFM

**Electrical, Screener:** 230/460 Volt, 3 Phase

**Instrument panel:** Includes 0-15" w.c. differential pressure gauge to monitor the condition of the filter cartridges, 0-160 PSI supply air pressure gauge and on/off switch for cartridge sealing mechanism

**Easy open:** Gas spring assisted door and low profile design ease bag unloading

**Pleated Filter:** Spunbond polyester ePTFE membrane laminate

**Removable bar grate**

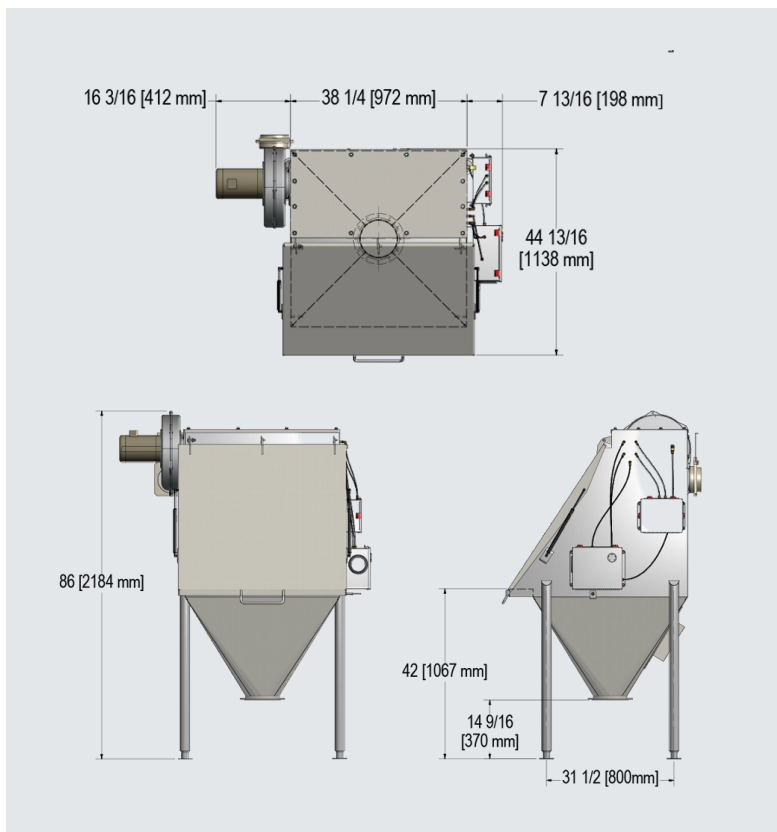
**8" diameter flanged outlet**

**Sanitary pipe legs standard**

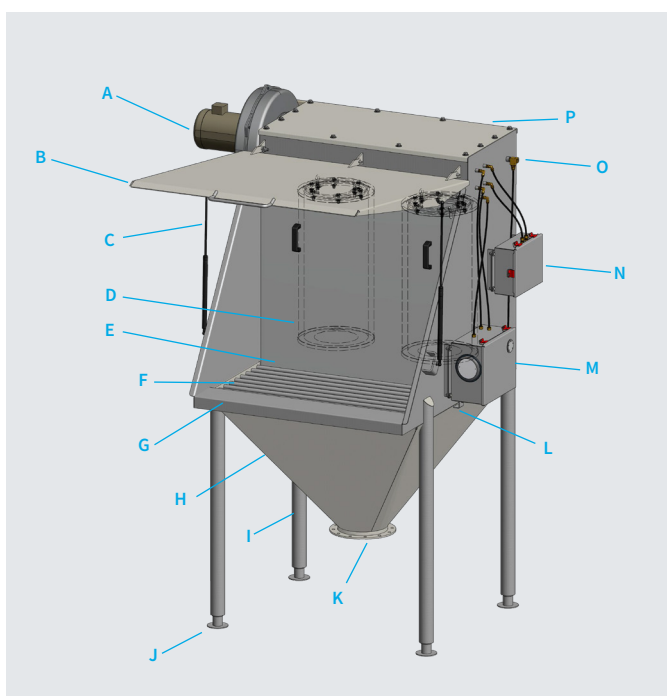
**Hopper vibrator pad standard**

**Bar grate switch**

## Schematics: Bag Dump



## Assembly View: Bag Dump



### OPTIONS

#### Screener, available screens in:

- #4 Mesh
- #6 Mesh
- #8 Mesh
- #10 Mesh

#### Hopper vibrator or fluidization

#### Custom hopper/Hopper outlet flange designs

#### Custom finishes

#### Magnetic grate

#### Silencer kit

#### Dual door

### DIMENSIONS

**Dump height:** 42"/1067 mm

**Unit height:** 85.88"/2181 mm

**Hopper size:** 38" x 38" x  
25.44"/965 x 965 x 464 mm

**Hopper slope:** 58°, Screener 54°

**Hopper capacity:** 5 cubic feet

**Weight:** 1065 lbs./484 kg

**Filter cloth area:** 180 sq. ft.

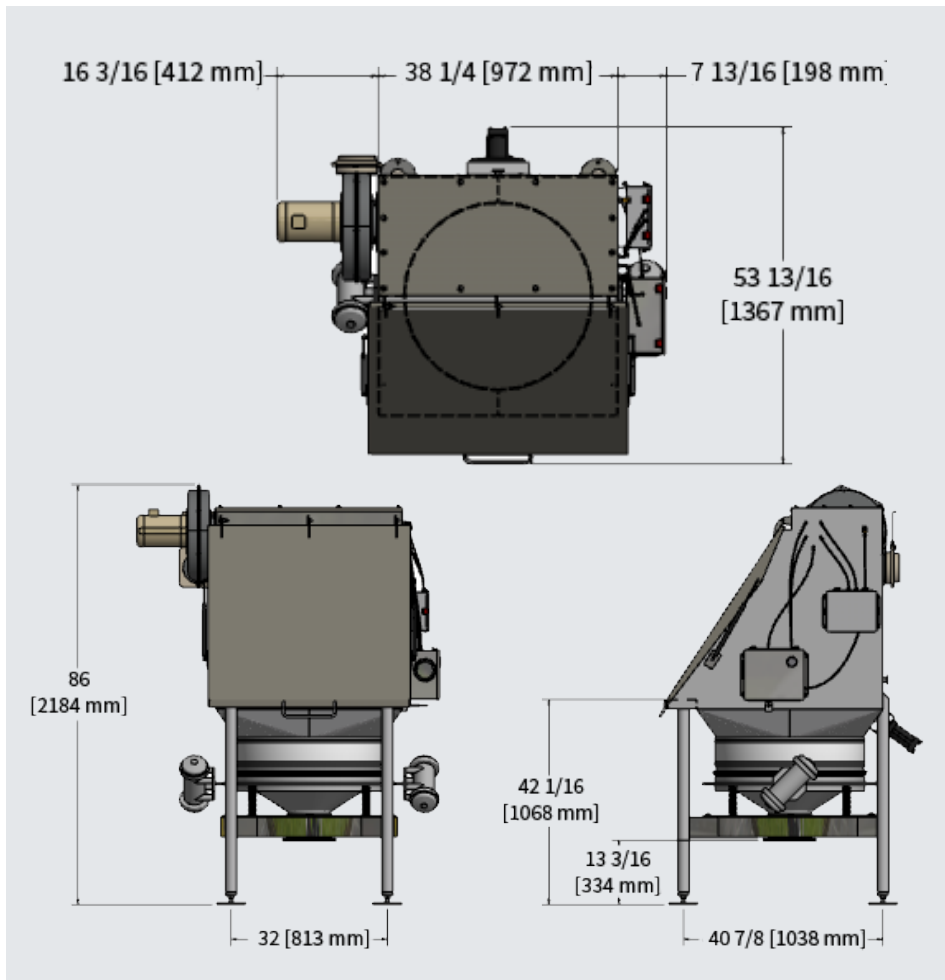
**Filter media:** Spun bond polyester

### SPECIFICATIONS

#### Air pulse timer control assembly in nema 4x S/S box

**Fan:** 1000 SCFM at 6" w.c. static pressure; 3 HP TEFC direct drive fan with adjustable outlet damper and guard

### Schematics: Bag Dump with Screener

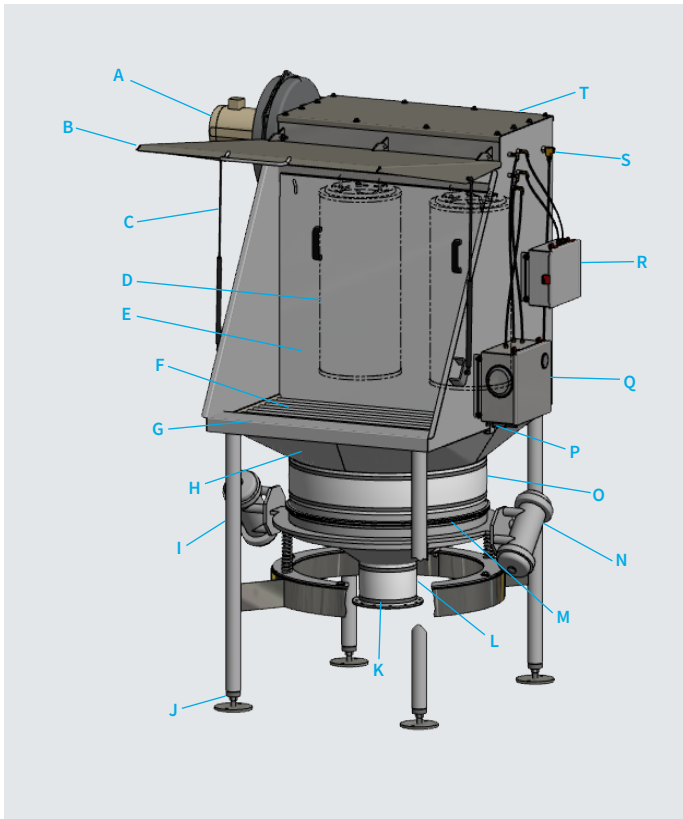


#### Rates\* (lbs/min)

Screen Mesh	Granulated Sugar	Whole Wheat Flour	Soft Wheat Flour	Hard Wheat Flour
6	> 600	129	49	180
8	>600	80	14	110
10	419	45	10	69
20	110	5	-	25
30	Blinded	-	-	13

\*Rates are +/- 10% based on average ingredient test

## Assembly View: Bag Dump with Screener



- A:** Exhaust fan
- B:** Door
- C:** Gas assist door kit
- D:** PTFE pleated filter assembly
- E:** Removable dust curtain to access filters
- F:** Removable product support grate
- G:** Integral bag rest
- H:** Hopper section
- I:** Pipe legs
- J:** Adjustable feet
- K:** Discharge flange
- L:** Flexible sleeve (1)
- M:** Screener
- N:** Screener motor
- O:** Flexible sleeve (2)
- P:** Gate sensor
- Q:** Instrument enclosure
- R:** Filter pulse timer enclosure
- S:** Single air connection
- T:** Removable access panel to pulse assembly

**shickesteve.com**

4346 Clary Blvd, Kansas City, MO 64130, USA

O: 816 861 7224

info@shickesteve.com

**shickesteve.com/fr**

4 place des Noyers 18220 RIANS, France

Tel: +33 (0) 2 48 66 60 60

info@shickesteve.fr