

Shick Ledge Free (SLF) Couplings



COMPONENTS



BULK



MINORS



LIQUIDS



CONTROLS



SITE SERVICES



SHICK
ESTEVE™
LINXIS GROUP

Shick Ledge Free (SLF) Couplings

INFORMATION

Shick Esteve's Ledge Free (SLF) Coupling is designed to eliminate the ledges in a tubular convey line connection that create product damage from impacting the ends of the tubular connections. In order to control the coupling alignment, SLF couplings have one half with a protrusion and the other half with a pocket for receiving the protrusion. The elimination of a ledge is accomplished by a tapered opening on the side of the coupling with a pocket. This makes a specific direction for

product flow from the coupling half with the protrusion to the coupling half with the pocket. An O-ring is used to seal the joint and a V-style clamp is used to hold the faces of the coupling together. The clamp will fit either pipe or tube within the same nominal size.

STANDARD FEATURES

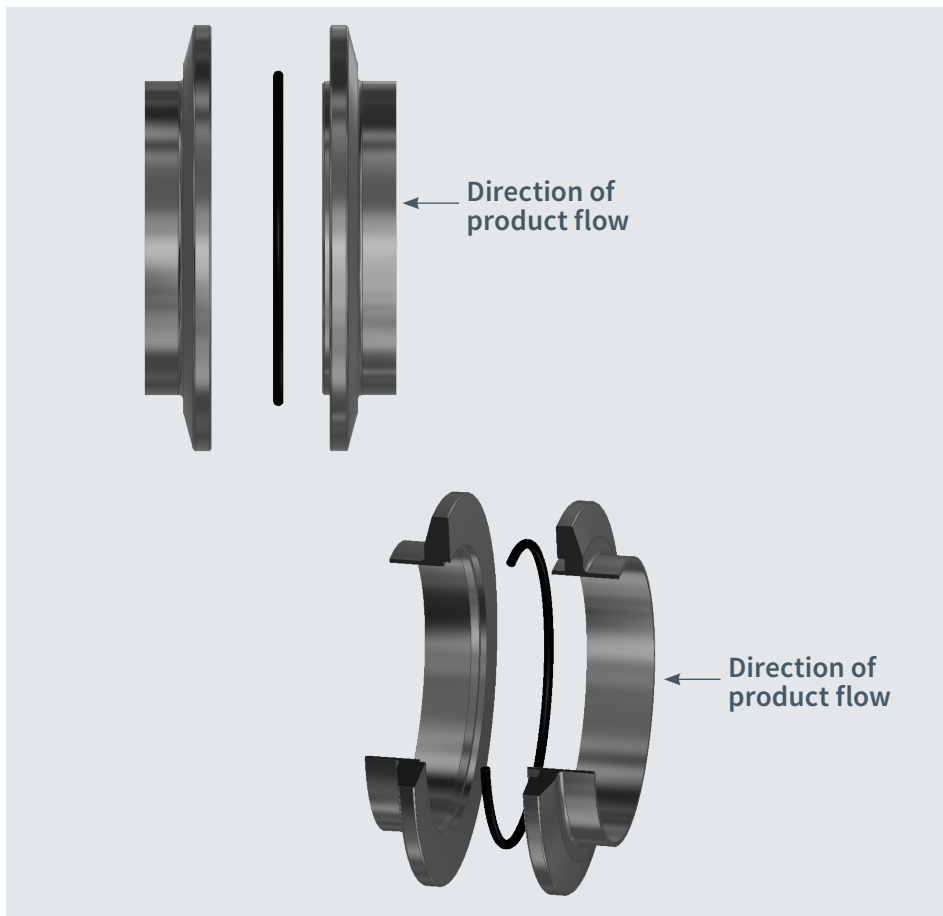
Coupling halves with protrusion and pocket for positive alignment

Ledge-free design in the direction of product flow

O-ring seal

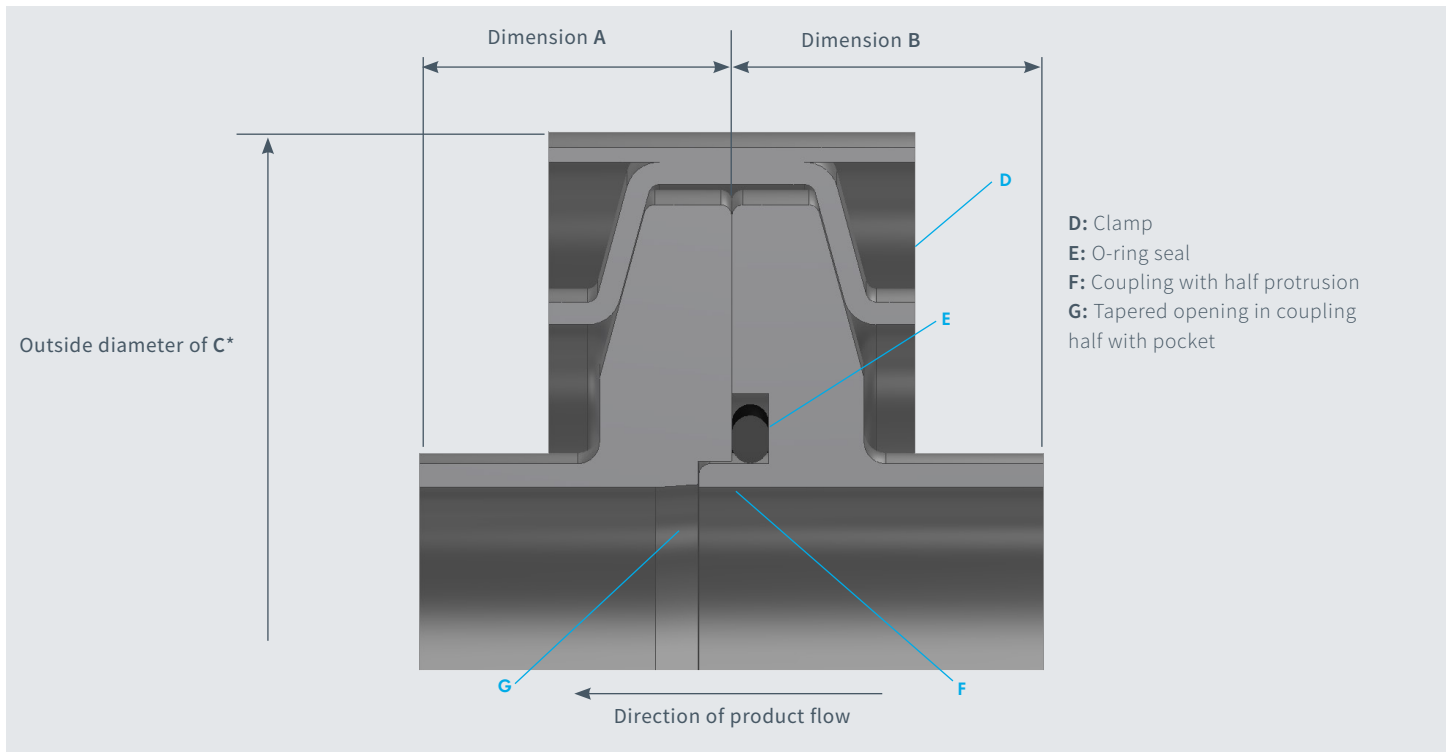
V-clamp with quick release draw bolt

Available in pipe and tube sizes



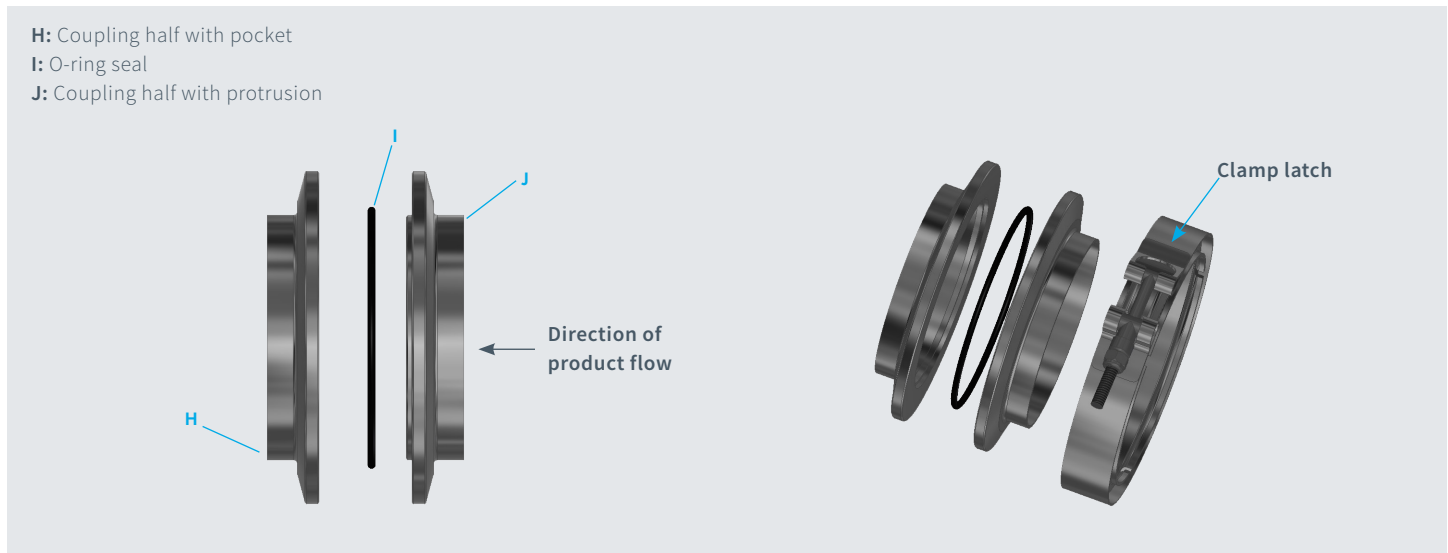
Coupling Dimensions			
Nominal size (inches)	A Dimension	B Dimension	C Dimension (Clamp Outside Diameter)
3	.85	.85	4.85
4	.85	.85	5.85
5	.85	.85	6.85
6	.69	.60	7.85

Schematics: Dimensional View



*The outside diameter dimension of the clamp does not include the latch.

SLF Coupling Views



SLF Coupling part numbers

Model No.	Nominal size (inches)	Tube protrusion half	Tube pocket half	Tube wall (inches)	O-ring for tube	Pipe protrusion half	Pipe pocket half	Pipe wall	O-ring for pipe
SLF-3T-16 SLF-3P-10	3	A1002000	A1002001	.065	A1002020	A1002002	A1002003	Sch. 10	A1002021
SLF-4T-16 SLF-4P-10	4	A1002004	A1002005	.065	A1002022	A1002006	A1002007	Sch. 10	A1002023
SLF-5T-14 SLF-5P-10	5	A1002008	A1002009	.083	A1002024	A1002010	A1002011	Sch. 10	A1002025
SLF-6T-14 SLF-6P-10	6	A1002012	A1002013	.083	A1002026	A1002014	A1002015	Sch. 10	A1002027

*Other sizes available upon request

The following pressure ratings are based on couplings that are properly aligned and piping that is supported in a manner that does not add loading to the coupling joint. Improperly aligned couplings or piping that is not supported to eliminate loading on the coupling joint will reduce the pressure rating of the coupling joint. Pressure ratings are for temperatures of -20°F (-29°C) to 250° (121°C). Consult with the Shick Esteve engineering department for use outside of these temperatures.

**Pressure rating and torque specs for
SLF quick release draw bolt clamps**

Model No.	Nominal size (inches)	Quick release clamp part No.	Maximum internal pressure (lbs. per sq. inch)	Recommended torque on draw bolt nut min./max. (inch - lbs.)
SLF-3-CB	3	A1002016	150	60-80
SLF-4-CB	4	A1002017	100	60-80
SLF-5-CB	5	A1002018	100	60-80
SLF-6-CB	6	A1002019	90	60-80

CAUTION: Always vent internal pressure to atmosphere before turning the nut on the quick release draw bolt or unbuckling the clamp. Use recommended torque on the draw bolt nut, and do not exceed maximum torque. Exceeding the maximum torque on the draw bolt nut will cause the clamp to fail and release the coupling joint.



**Pressure rating and torque specs for SLF "T" handle
quick release draw bolt clamps**

Model No.	Nominal size (inches)	"T" handle quick release clamp Part No.	Maximum internal pressure (lbs. per sq. inch)	Recommended torque on "T" handle min./max. (inch - lbs.)
SLF-3-CT	3	A1002175	150	60-80
SLF-4-CT	4	A1002176	100	60-80
SLF-5-CT	5	A1002177	100	60-80
SLF-6-CT	6	A1002178	90	60-80

CAUTION: Always vent internal pressure to atmosphere before turning the "T" handle on the quick release draw bolt or unbuckling the clamp. Use recommended torque on the draw bolt "T" Handle, and do not exceed maximum torque. Exceeding the maximum torque on the draw bolt "T" handle will cause the clamp to fail and release the coupling joint.



shickesteve.com

4346 Clary Blvd, Kansas City, MO 64130, USA

O: 816 861 7224

info@shickesteve.com

shickesteve.fr

4 place des Noyers 18220 RIANS, France

Tel: +33 (0) 2 48 66 60 60

info@esteve.fr